

ABBREVIATIONS	
NOTE: NOT ALL ABBREVIATIONS MAY BE USED.	
A	AMPERE
AFF	ABOVE FINISHED FLOOR
AFG	ABOVE FINISHED GRADE
AHJ	AUTHORITY HAVING JURISDICTION
AMP	AMPLIFIER
AUTO	AUTOMATIC
AV	AUDIO VISUAL
AWG	AMERICAN WIRE GAUGE
BB	BACKBONE
BC	BONDING CONDUCTOR
BGP	BORDER GATEWAY PROTOCOL
CCTV	CLOSED CIRCUIT TELEVISION
C	CEILING MOUNTED
CMP	COMMUNICATIONS PLENUM
CMR	COMMUNICATIONS RISER
CU	COPPER
DIA	DIAMETER
DWG	DRAWING
EA	EACH
EC	ELECTRICAL CONTRACTOR
EM	EMERGENCY
ER	EQUIPMENT ROOM (MDF)
FFA	FROM FLOOR ABOVE
FFB	FROM FLOOR BELOW
FT	FEET
GC	GENERAL TRADES CONTRACTOR
GND	GROUND
IN	INCHES
IP	INTERNET PROTOCOL
JB	JUNCTION BOX
LAN	LOCAL AREA NETWORK
LCD	LIQUID CRYSTAL DISPLAY
M	METER
MC	MECHANICAL CONTRACTOR
MCC	MAIN CROSS CONNECT
MFR	MANUFACTURER
MH	MANHOLE
MHZ	MEGAHERTZ
MMF	MULTIMODE FIBER
mm	MILLIMETER
NC	NORMALLY CLOSED
NO	NORMALLY OPEN
OC	ON CENTER
OFCI	OWNER FURNISHED, CONTRACTOR INSTALLED
OFOI	OWNER FURNISHED, OWNER INSTALLED
CFCI	CONTRACTOR FURNISHED, CONTRACTOR INSTALLED
PA	PUBLIC ANNOUNCEMENT
P/L	PROPERTY LINE
PLE	PLENUM
POE	POWER OVER ETHERNET
PVC	POLYVINYL CHLORIDE (PLASTIC PIPE)
REV	REVISION
RM	ROOM
S	STRAND
SFP	SMALL FORM-FACTOR PLUGGABLE
SMF	SINGLE MODE FIBER
SP	SERVICE PROVIDER
TBBC	TELECOMMUNICATIONS BACKBONE BONDING CONDUCTOR
TEBC	TELECOMMUNICATIONS EQUIPMENT BONDING CONDUCTOR
TGB	TELECOMMUNICATIONS GROUNDING BUSBAR
TMGB	TELECOMMUNICATIONS MAIN GROUNDING BUSBAR
TR	TELECOM ROOM (IDF)
TV	TELEVISION
TYP	TYPICAL
UNO	UNLESS NOTED OTHERWISE
UTP	UNSHIELDED, TWISTED PAIR
V	VOLTS
WAN	WIDE AREA NETWORK
WAP	WIRELESS ACCESS POINT
WG	WIRE GUARD
WM	WALL MOUNTED
WP	WEATHERPROOF

TELECOM SYMBOLS	TELECOM REQUIREMENTS	PATHWAY REQUIREMENTS	
W	SINGLE-PORT WALL DATA OUTLET MOUNTED AT 48" AFF, UNO.	SINGLE GANG, ONE-PORT FACEPLATE. PROVIDE ONE CAT6 CABLE, TERMINATED ON PATCH PANEL IN TELECOM ROOM.	4-11/16" SQUARE, 2-1/8" DEEP BOX WITH A SINGLE GANG PLASTER RING AND 1" CONDUIT INSTALLED TO ABOVE ACCESSIBLE CEILING, CABLE TRAY OR TELECOM ROOM.
V	WORKSTATION WALL OUTLET MOUNTED AT 18" AFF, UNO.	SINGLE GANG, TWO-PORT FACEPLATE. PROVIDE TWO CAT6 CABLES, TERMINATED ON PATCH PANEL IN TELECOM ROOM.	4-11/16" SQUARE, 2-1/8" DEEP BOX WITH A SINGLE GANG PLASTER RING AND 1" CONDUIT INSTALLED TO ABOVE ACCESSIBLE CEILING, CABLE TRAY OR TELECOM ROOM.
FB	RECESSED WORKSTATION FLOOR OUTLET.	SINGLE GANG, SIX-PORT FACEPLATE. 'X' SUB-SCRIPT = NUMBER OF DATA PORTS. PROVIDE SAME NUMBER OF CAT6 CABLES AS SUB-SCRIPT NUMBER, TERMINATED ON PATCH PANEL IN TELECOM ROOM.	MULTI-SERVICE POWER/DATA FLOOR BOX. (1) 1" CONDUIT FOR POWER AND (1) 1" FOR DATA FROM BOX TO ABOVE ACCESSIBLE CEILING, CABLE TRAY OR TELECOM ROOM. SEE DIVISION 26 FOR BOX INFORMATION.
H	WORKSTATION WALL OUTLET WITH (1) HDMI JACK AND (1) DATA PORT, MOUNTED AT 18" AFF, UNO.	SINGLE GANG FACEPLATE. PROVIDE SINGLE HDMI FEMALE PORT AND ONE DATA PORT. PROVIDE (1) HDMI CABLE FROM WORKSTATION WALL OUTLET OR WORKSTATION OUTLET. PROVIDE (1) CAT6 CABLE TO TR PATCH PANEL.	4-11/16" SQUARE, 2-1/8" DEEP BOX WITH A SINGLE GANG PLASTER RING. (1) 1" CONDUIT INSTALLED TO ABOVE ACCESSIBLE CEILING AND (1) 1-1/4" CONDUIT INSTALLED TO TV OUTLET OR ABOVE ACCESSIBLE CEILING.
TV	WALL-MOUNTED TV OUTLET WITH (1) DATA AND (1) HDMI JACK. OUTLET MOUNTED AT 60" AFF, UNO.	PROVIDE ONE CAT6 CABLE FROM TV OUTLET TO TELECOM ROOM PATCH PANEL. EXTEND AND TERMINATE HDMI CABLE FROM FLOOR OUTLET OR WORKSTATION OUTLET. SEE SPECIFICATION FOR WHEN SHIELDED CAT6 IS REQUIRED FOR HDMI EXTENSION.	4-11/16" SQUARE, 2-1/8" DEEP BOX WITH A SINGLE GANG PLASTER RING. (1) 1" CONDUIT INSTALLED TO ABOVE ACCESSIBLE CEILING AND (1) 1-1/4" CONDUIT INSTALLED TO HDMI OUTLET OR ABOVE ACCESSIBLE CEILING.
W	DATA OUTLET FOR OWNER-PROVIDED WIRELESS ACCESS POINT, CEILING MOUNTED. W = WALL MOUNTED.	PROVIDE ONE CAT6A CABLE, TERMINATED ON CAT6A JACK IN PATCH PANEL AND INSIDE DATA OUTLET AT WAP. PROVIDE EXTRA 20' COIL OF CABLE AND ONE 12-INCH PATCH CORD AT FINAL WAP LOCATION.	4-11/16" SQUARE, 2-1/8" DEEP BOX WITH A 3" ROUND PLASTER RING MOUNTED FLUSH TO THE CEILING.
SP	SPEAKER, FLUSH MOUNTED.	PROVIDE CABLING AND CONNECTOR PER SPECIFICATION.	4-11/16" SQUARE, 2-1/8" DEEP BOX WITH A 3" ROUND PLASTER RING MOUNTED FLUSH TO THE CEILING.
SP	LOCAL SPEAKER, SURFACE MOUNTED.	PROVIDE CABLING AND CONNECTOR PER SPECIFICATION.	4-11/16" SQUARE, 2-1/8" DEEP BOX WITH A 3" ROUND PLASTER RING MOUNTED FLUSH TO THE CEILING.
PA	PA SPEAKER, SURFACE MOUNTED.	PROVIDE SPEAKER AND CABLING PER SPECIFICATION.	4-11/16" SQUARE, 2-1/8" DEEP BOX WITH A 3" ROUND PLASTER RING MOUNTED FLUSH TO THE CEILING.
PA	PA SPEAKER, FLUSH MOUNTED.	PROVIDE SPEAKER AND CABLING PER SPECIFICATION.	4-11/16" SQUARE, 2-1/8" DEEP BOX WITH A 3" ROUND PLASTER RING MOUNTED FLUSH TO THE CEILING.
V	RECESSED CEILING MOUNTED DATA OUTLET.	PROVIDE ONE CAT6 CABLE. TERMINATED ON CAT6 JACK IN PATCH PANEL AND INSIDE DATA OUTLET. PROVIDE EXTRA 10' COIL OF CABLE AND ONE 12-INCH PATCH CORD AT FINAL DEVICE LOCATION.	4-11/16" SQUARE, 2-1/8" DEEP BOX WITH A 3" ROUND PLASTER RING MOUNTED FLUSH TO THE CEILING.
V	VOLUME CONTROL FOR PAGING SYSTEM, MOUNTED AT 48" AFF, UNO.	PROVIDE VOLUME CONTROL AND CABLING PER SPECIFICATION.	4-11/16" SQUARE, 2-1/8" DEEP BOX WITH A SINGLE GANG PLASTER RING, 3/4" CONDUIT TO ABOVE ACCESSIBLE CEILING, CABLE TRAY, OR TELECOM ROOM.
W	WALL MOUNTED WIRELESS MICROPHONE ANTENNA OUTLET FOR LOOP MICROPHONE SYSTEM, MOUNTED AT 7-10" AFF, UNO.	ROUGH-IN ONLY, OWNER PROVIDING DEVICE AND CABLING.	4-11/16" SQUARE, 2-1/8" DEEP BOX WITH A DOUBLE GANG PLASTER RING AND 1" CONDUIT INSTALLED TO ABOVE ACCESSIBLE CEILING, CABLE TRAY OR TELECOM ROOM.
BT	WALL-MOUNTED BLUETOOTH/AUDIO INPUT OUTLET MOUNTED AT 48" AFF, UNO.	ROUGH-IN ONLY, OWNER PROVIDING DEVICE AND CABLING.	4-11/16" SQUARE, 2-1/8" DEEP BOX WITH A DOUBLE GANG PLASTER RING, 1" CONDUIT INSTALLED TO ABOVE ACCESSIBLE CEILING.
TP	WALL-MOUNTED AV TOUCH PANEL OUTLET, MOUNTED AT 48" AFF, UNO.	ROUGH-IN ONLY, OWNER PROVIDING DEVICE AND CABLING.	4-11/16" SQUARE, 2-1/8" DEEP BOX WITH A SINGLE GANG PLASTER RING, (1) 1" CONDUIT INSTALLED TO ABOVE ACCESSIBLE CEILING.

NOTE: NOT ALL SYMBOLS MAY BE USED.

SECURITY SYMBOLS	PATHWAY REQUIREMENTS	
C	VIDEO SURVEILLANCE CAMERA, OWNER PROVIDED C = CEILING MOUNTED 180 = DUAL LENS CAMERA 360 = QUAD LENS CAMERA D = DOME LENS CAMERA	4-11/16" SQUARE, 2-1/8" DEEP BOX WITH A SINGLE GANG PLASTER RING AND 3/4" CONDUIT INSTALLED TO ABOVE ACCESSIBLE CEILING. PROVIDE CAMERA, CAT6 CABLE AND 1" RING OUTLET.
A	ALARM HORN, OWNER PROVIDED	4-11/16" SQUARE, 2-1/8" DEEP BOX WITH A SINGLE GANG PLASTER RING AND 3/4" CONDUIT INSTALLED TO ABOVE ACCESSIBLE CEILING.
CR	CARD READER, OWNER PROVIDED	4-11/16" SQUARE, 2-1/8" DEEP BOX WITH A SINGLE GANG PLASTER RING AND 3/4" CONDUIT INSTALLED TO ABOVE ACCESSIBLE CEILING. 48" AFF. *KP = WITH KEYPAD
DC	DOOR CONTACT, OWNER PROVIDED	4-11/16" SQUARE, 2-1/8" DEEP BOX WITH A SINGLE GANG PLASTER RING AND 3/4" CONDUIT INSTALLED TO ABOVE ACCESSIBLE CEILING.
GB	GLASS BREAK SENSOR, OWNER PROVIDED	4-11/16" SQUARE, 2-1/8" DEEP BOX WITH A SINGLE GANG PLASTER RING AND 3/4" CONDUIT INSTALLED TO ABOVE ACCESSIBLE CEILING.
MD	MOTION DETECTOR, OWNER PROVIDED	4-11/16" SQUARE, 2-1/8" DEEP BOX WITH A SINGLE GANG PLASTER RING AND 3/4" CONDUIT INSTALLED TO ABOVE ACCESSIBLE CEILING.
MS	CCTV MONITOR STATION, OWNER PROVIDED	4-11/16" SQUARE, 2-1/8" DEEP BOX WITH A SINGLE GANG PLASTER RING AND 3/4" CONDUIT INSTALLED TO ABOVE ACCESSIBLE CEILING.
P	PUSH BUTTON - PANIC, OWNER PROVIDED	4-11/16" SQUARE, 2-1/8" DEEP BOX WITH A SINGLE GANG PLASTER RING AND 3/4" CONDUIT INSTALLED TO ABOVE ACCESSIBLE CEILING. COORDINATE LOCATIONS WITH ARCHITECT PRIOR TO ROUGH-IN.
LD	PUSH BUTTON - LOCK DOWN, OWNER PROVIDED	4-11/16" SQUARE, 2-1/8" DEEP BOX WITH A SINGLE GANG PLASTER RING AND 3/4" CONDUIT INSTALLED TO ABOVE ACCESSIBLE CEILING. COORDINATE LOCATIONS WITH ARCHITECT PRIOR TO ROUGH-IN.
I	INTERCOM - STATION, OWNER PROVIDED	4-11/16" SQUARE, 2-1/8" DEEP BOX WITH A SINGLE GANG PLASTER RING AND 1" CONDUIT INSTALLED TO TELECOM RACK.
D	DOOR BELL, OWNER PROVIDED	4-11/16" SQUARE, 2-1/8" DEEP BOX WITH A SINGLE GANG PLASTER RING AND 1" CONDUIT INSTALLED TO TELECOM RACK.

NOTE: NOT ALL SYMBOLS MAY BE USED.

SECURITY KEYNOTES:

- PROVIDE CAT6 CABLE FROM CARD READER TO NEAREST ER/TR AND LEAVE WITH A 10' SERVICE LOOP COILED AT THE BACKBOARD SPACE RESERVED FOR THE OWNERS S2 CONTROL UNITS.
- CONTRACTOR SHALL PLAN FOR ONE PRE-INSTALLATION MEETING WITH OWNER, DOOR HARDWARE SUPPLIER AND ARCHITECT TO REVIEW LOCATIONS AND INSTALLATION REQUIREMENTS.
- ALL SECURITY DEVICES SHOWN ON FLOOR PLANS AND SYMBOLS ABOVE SHALL BE ROUGH-INS AND PATHWAYS ONLY, WITH DEVICES PROVIDED BY CML'S SECURITY VENDOR. CONTRACTOR SHALL VERIFY EXACT ROUGH-IN AND PATHWAY REQUIREMENTS WITH CML'S SECURITY VENDOR PRIOR TO ROUGH-IN.

Marion-Franklin Camera Schedule					
Number	Type	Mounting	Environment	Description	Sheet
P1	Outdoor panoramic (3 lens)	Pole-mounted	Exterior	NE Parking Lot	T002
P2	Outdoor panoramic (3 lens)	Pole-mounted	Exterior	E Center Parking Lot	T002
P3	Outdoor panoramic (3 lens)	Pole-mounted	Exterior	SE Parking Lot	T002
1	Outdoor 360 (4 lens)	Ext corner mount	Exterior	NE Corner	T101
2	Outdoor 360 (4 lens)	Ext corner mount	Exterior	East Entrance Walkway	T101
3	Outdoor dome	Ext overhang ceiling	Exterior	Main and Staff Entrances	T101
4	Outdoor 360 (4 lens)	Ext corner mount	Exterior	SE Corner	T101
5	Outdoor 360 (4 lens)	Ext corner mount	Exterior	SW Corner	T101
6	Outdoor 360 (4 lens)	Ext corner mount	Exterior	NW Corner	T101
7	Outdoor dome	Ext wall mount	Exterior	NorthEmergency Exits	T101
8	Indoor 360 (4 lens)	Int ceiling mount	Interior	Public Entrance/Circ Desk/ Bus Ctr	T101
9	Indoor dome	Int ceiling mount	Interior	Restroom Entrance Hallway	T101
10	Indoor 360 (4 lens)	Int ceiling mount	Interior	North Public Area	T101
11	Indoor dome	Int ceiling mount	Interior	School Help	T101
12	Indoor dome	Int wall mount	Interior	Children's Area	T101
13	Indoor dome	Int ceiling mount	Interior	Teen Area	T101
14	Indoor dome	Int wall mount	Interior	Circ Desk	T101
15	Indoor dual-lens	Int ceiling mount	Interior	Small Meeting Rm 2	T101
16	Indoor dome	Int ceiling mount	Interior	Small Meeting Rm 1	T101
17	Indoor dome	Int ceiling mount	Interior	Staff Entrance Door	T101

CAMERA SCHEDULE NOTES:

- REFER TO FLOOR PLANS FOR CAMERA LOCATIONS.
- CAMERAS SHOWN ON SCHEDULE AND FLOOR PLANS ARE ROUGH-IN AND PATHWAY ONLY. CML'S SECURITY VENDOR SHALL PROVIDE CAMERAS.
- CAMERA SCHEDULE IS FOR REFERENCE ONLY. CONTRACTOR SHALL COORDINATE WITH CML AND CML'S SECURITY VENDOR PRIOR TO ROUGH-IN TO CONFIRM SCHEDULE ACCURACY.

SCHOOLEY CALDWELL

ARCHITECTURE. INSPIRED.

300 Marconi Boulevard Columbus OH 43215
T 614-628-0300 F 614-628-0311
schooleyaldwell.com

EVOKE
Studio | Architecture

401 Foster St. Durham NC 27701
evokestudio.com 919-495-6079

Consultants:

Civil Engineer
Moody Engineering
300 Spruce St Suite 200, Columbus OH 43215

Landscape Architect
MKSK
402 Lantana St, Columbus OH 43215

Structural Engineer
SMSH
1166 Dublin Rd Suite 200, Columbus OH 43215

MEP Engineer
Advanced Engineering Consultants
1405 Dublin Rd, Columbus OH 43215

Drawing Issue Dates

Schematic Design Plus Submittal
9/28/2023

Design Development Submittal
11/2/2023

30% Construction Documents
01/15/2024

60% Construction Documents
02/19/2024

Revision Schedule

No.	Description	Date
-----	-------------	------

CML Marion
Franklin Branch

2800 Lockbourne Rd,
Columbus, Ohio 43207

NOT FOR CONSTRUCTION

GENERAL
INFORMATION -
TECHNOLOGY

TELECOM

T001

03/15/2024

22150

Consultants:

Civil Engineer
Moody Engineering
300 Spruce St Suite 200, Columbus OH 43215

Landscape Architect
MKSK
402 Ludlow St, Columbus OH 43215

Structural Engineer
SMBH
1166 Dublin Rd Suite 200, Columbus OH 43215

MEP Engineer
Advanced Engineering Consultants
1405 Dublin Rd, Columbus OH 43215

Drawing Issue Dates

Schematic Design Plus Submittal
9/28/2023

Design Development Submittal
11/2/2023

30% Construction Documents
01/15/2024

60% Construction Documents
02/19/2024

Revision Schedule

No.	Description	Date
-----	-------------	------

CML Marion
Franklin Branch

2800 Lockbourne Rd,
Columbus, Ohio 43207

NOT FOR CONSTRUCTION

SITE PLAN -
TECHNOLOGY

TELECOM
T002

03/15/2024

22150

GENERAL SHEET NOTES

- A. MINIMUM SIZE FOR ALL SITE CONDUIT SHALL BE 1.25", UNLESS NOTED OTHERWISE.
- B. UNDERGROUND CONDUIT ROUTING SHOWN IS SCHEMATIC, COORDINATE EXACT ROUTING WITH CIVIL PLANS.
- C. CONTRACTOR SHALL COORDINATE ALL SITE WORK WITH OTHER TRADES AND EXISTING UNDERGROUND UTILITIES (SEE CIVIL PLANS).
- D. ALL EXTERIOR CONDUITS RISING ABOVE GRADE, ENTERING PULL BOXES, MANHOLES, HANDHOLES, BUILDINGS AND OR EQUIPMENT SHALL BE RIGID GALVANIZED STEEL TYPE FROM THE LAST 6 FEET OF TRANSITION FROM BELOW GRADE.
- E. COORDINATE TRENCHING AND BACKFILL REQUIREMENTS WITH CIVIL DRAWINGS AND SPECIFICATIONS.
- F. ALL SECURITY DEVICES SHOWN ARE ROUGH-INS AND PATHWAYS ONLY. SECURITY DEVICES SHALL BE PROVIDED BY CML'S SECURITY VENDOR.

SHEET KEYNOTES

- 1. ENCASED TELECOM DUCT BANK. REFER TO DUCT BANK DETAIL 1/E501.
- 2. GROUND MOUNTED PULL BOX 17" X 30" QUAZITE PG STYLE, REFER TO DETAIL 3/E501.
- 3. PROPOSED UTILITY POLE BY LOCAL ELECTRIC UTILITY CO. SHALL BE LOCATED WITHIN R/W. POLE SHALL SERVE AS PRIMARY RISER AND TELECOM RISER.
- 4. TELECOM DUCT BANK SHALL TURN UP WITHIN MAIN TELECOM ROOM. REFER TO TECHNOLOGY SHEET T401 FOR EXACT LOCATION.
- 5. PROVIDE 3/4" CONDUIT IN POLE BASE FOR CML'S PROVIDED SECURITY CAMERA. CONDUIT SHALL BE HOMERAN TO MAIN TECHNOLOGY ROOM.



1 SITE PLAN - TECHNOLOGY
1" = 20'-0"

Consultants:

- Civil Engineer*
Moody Engineering
300 Spruce St Suite 200, Columbus OH 43215
- Landscape Architect*
MKS&K
457 Lantana St, Columbus OH 43215
- Structural Engineer*
SMBH
1166 Dublin Rd Suite 200, Columbus OH 43215
- MEP Engineer*
Advanced Engineering Consultants
1405 Dublin Rd, Columbus OH 43215

Drawing Issue Dates

- Schematic Design Plus Submittal
9/28/2023
- Design Development Submittal
11/2/2023
- 30% Construction Documents
01/15/2024
- 60% Construction Documents
02/19/2024

Revision Schedule

No.	Description	Date
-----	-------------	------

CML Marion
Franklin Branch

2800 Lockbourne Rd,
Columbus, Ohio 43207

NOT FOR CONSTRUCTION

FIRST FLOOR PLAN -
TECHNOLOGY

TELECOM

T101

03/15/2024

22150

GENERAL SHEET NOTES

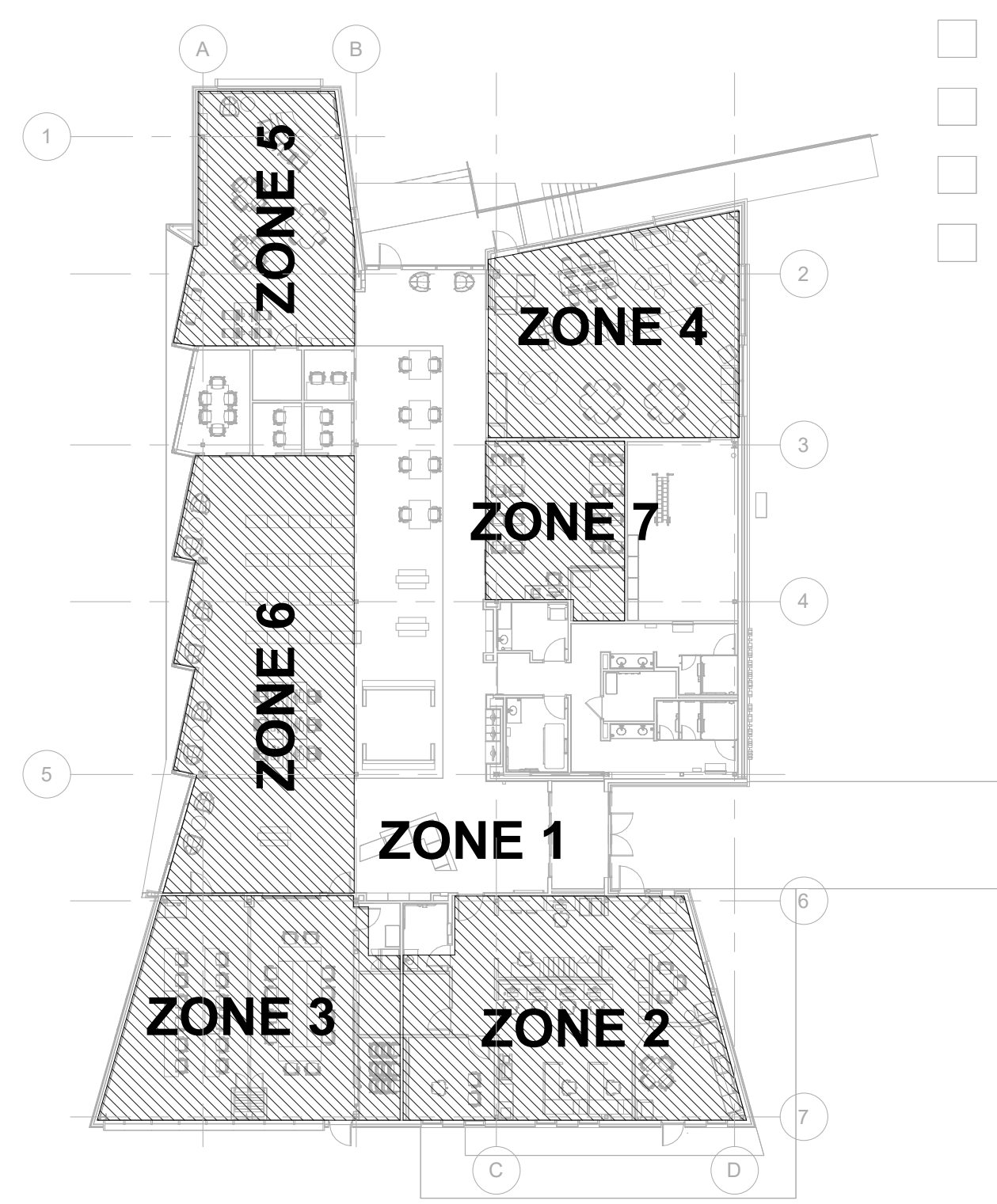
1. COORDINATE ALL ROUGH-IN AND PATHWAY REQUIREMENTS FOR DEVICES IN CASEWORK, AND FURNITURE WITH ARCHITECTURAL DRAWINGS AND SPECIFICATIONS PRIOR TO ROUGH-IN.
2. COORDINATE ROUGH-IN REQUIREMENTS AND LOCATIONS FOR ALL AV DEVICE WITH CML'S AV VENDOR.
3. ALL SECURITY DEVICES SHOWN ARE ROUGH-IN AND PATHWAYS ONLY. SECURITY DEVICES SHALL BE PROVIDED BY CML'S SECURITY VENDOR.
4. COORDINATE FLOOR BOX LOCATIONS WITH ARCHITECTURAL FURNITURE AND ELECTRICAL POWER DRAWINGS PRIOR TO ROUGH-IN.
5. ALL DATA CABLES BE ROUTED IN CABLE TRAY, J-HOOKS, OR CONDUIT. CABLES SHALL BE ROUTED INCONSPICUOUSLY, PARALLEL TO BUILDING STRUCTURES AND DUCTWORK ETC.
6. PROVIDE SEALS AROUND ALL CONDUITS AND ALL TELECOMMUNICATIONS PENETRATIONS.
7. ALL DATA CABLING SHALL BE HOMERUN TO TELECOM ROOM 126. PROVIDE PATCH PANELS TO SERVE QUANTITY OF OUTLETS SHOWN ON PLANS PLUS 20% SPARE.
8. ALL SECURITY DEVICES SHOWN ARE ROUGH-INS AND PATHWAYS ONLY. SECURITY DEVICES SHALL BE PROVIDED BY CML'S SECURITY VENDOR.

SHEET KEYNOTES

1. PROVIDE TWO PORT DATA OUTLET IN 2-GANG DUAL SERVICE RECESSED TV OUTLET BOX MOUNTED AT 44" AFF FOR ROOM SCHEDULING PANEL. UTILIZE LOW VOLTAGE SIDE WITH 1-1/4" KNOCKOUTS FOR DATA CABLING AND TWO PORT FACEPLATE.
2. PROVIDE DATA OUTLET FOR BAS PANEL. COORDINATE EXACT LOCATION AND REQUIREMENTS WITH CONTROLS CONTRACTOR PRIOR TO ROUGH-IN.
3. PROVIDE DATA OUTLET FOR MAIN ELECTRICAL DISTRIBUTION PANEL SMART METERING. COORDINATE EXACT LOCATION WITH ELECTRICAL CONTRACTOR PRIOR TO ROUGH-IN.
4. PROVIDE 12" W X 4" D WIRE MESH CABLE TRAY MOUNTED AT 10-7" AFF.
5. PROVIDE (3) 4" CONDUIT SLEEVES FOR HORIZONTAL CABLING THROUGH WALL.
6. 4-GANG FLOOR BOX FOR POWER AND DATA TO CONNECT TO SYSTEMS FURNITURE. PROVIDE (1) CAT6 PATCH CORD TO EACH WORKSTATION. COORDINATE WITH FURNITURE PLANS AND ELECTRICAL PLANS FOR MORE INFORMATION.
7. PROVIDE DATA OUTLET FLUSH MOUNT IN CEILING FOR OWNER PROVIDED THEFT DETERRENT SYSTEM. COORDINATE EXACT REQUIREMENTS WITH OWNER PRIOR TO ROUGH-IN.
8. PROVIDE DATA OUTLET FLUSH MOUNT IN CEILING FOR PEOPLE COUNTER SYSTEM. COORDINATE EXACT REQUIREMENTS WITH OWNER PRIOR TO ROUGH-IN.
9. PROVIDE DATA OUTLET FOR FACP. COORDINATE EXACT REQUIREMENTS WITH FIRE ALARM PROVIDER PRIOR TO ROUGH-IN.
10. EMERGENCY LOCK DOWN PUSH BUTTON MOUNTED UNDERNEATH THE COUNTER. LOCKDOWN SIGNALS SHALL BE TRANSMITTED TO 911 AND CML'S MAIN SECURITY CONTROL CENTER.
11. WIRELESS PANIC BUTTON DEVICE ON MOBILE STAFF CART FOR THE AREA, PROVIDED BY CML'S SECURITY VENDOR.
12. PROVIDE WEATHERPROOF OUTDOOR WAP MOUNTED AT 10' AFG.
13. PROVIDE 1-1/2" CONDUIT ROUTED UNDER THE SLAB, THEN TURN UP TO SERVICE DEVICES LOCATED IN CASEWORK. PROVIDE (6) DATA CABLES IN CONDUIT.
14. PROVIDE JUNCTION BOX FLUSH WITH THE WALL FOR DATA CABLING PASS THROUGH CONNECTION TO SYSTEM FURNITURE DEVICE.
15. NOT USED.
16. NOT USED.
17. PROVIDE A RECESSED 2-GANG ROUGH-IN FOR CML PROVIDED SHORT THROW PROJECTOR AT 9-3" AFF. PROVIDE 1" CONDUIT FROM ROUGH-IN TO ABOVE ACCESSIBLE CEILING. COORDINATE EXACT REQUIREMENTS WITH CML'S AV VENDOR.
18. PROVIDE (1) HDMI FEMALE CONNECTOR IN FLOOR BOX. ROUTE 1-1/4" CONDUIT FROM FLOOR BOX TO HDMI OUTLET IN WALL FOR CONNECTION TO MOBILE TV CART.
19. PROVIDE (1) HIGH DATA/HDMI OUTLET MOUNTED AT 72" AFF FOR DRAW ALIVE PROJECTION SYSTEM. PROVIDE (1) LOW DATA/HDMI OUTLET MOUNTED AT 42" FOR DRAWING ALIVE INPUT STATION. HIGH AND LOW HDMI'S SHALL BE CONNECTED TOGETHER WITH A 1-1/4" CONDUIT.
20. PROVIDE DATA OUTLET IN 2-GANG DUAL SERVICE RECESSED TV OUTLET BOX. UTILIZE LOW VOLTAGE SIDE WITH 1-1/4" KNOCKOUTS FOR DATA AND AV CABLING.



1 FIRST FLOOR PLAN - TELECOMMUNICATIONS
1/8" = 1'-0"



2 FIRST FLOOR PLAN - PAGING ZONES
3/64" = 1'-0"

Consultants:

Civil Engineer
Moody Engineering
300 Spruce St Suite 200, Columbus OH 43215

Landscape Architect
MKS
402 Linden St, Columbus OH 43215

Structural Engineer
SMDH
1166 Dublin Rd Suite 200, Columbus OH 43215

MEP Engineer
Advanced Engineering Consultants
1405 Dublin Rd, Columbus OH 43215

Drawing Issue Dates

Schematic Design Plus Submittal
9/28/2023

Design Development Submittal
11/2/2023

30% Construction Documents
01/15/2024

60% Construction Documents
02/19/2024

Revision Schedule

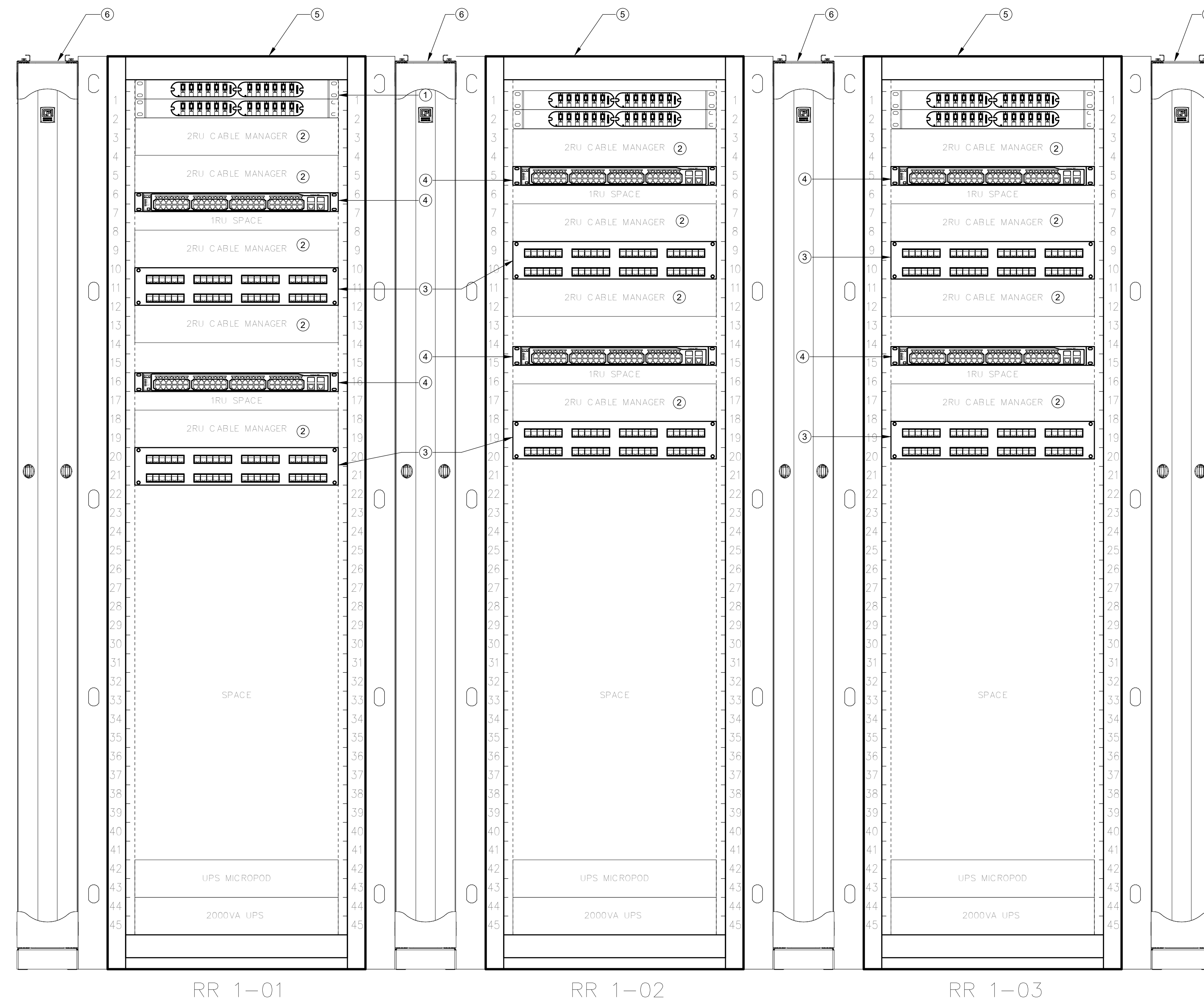
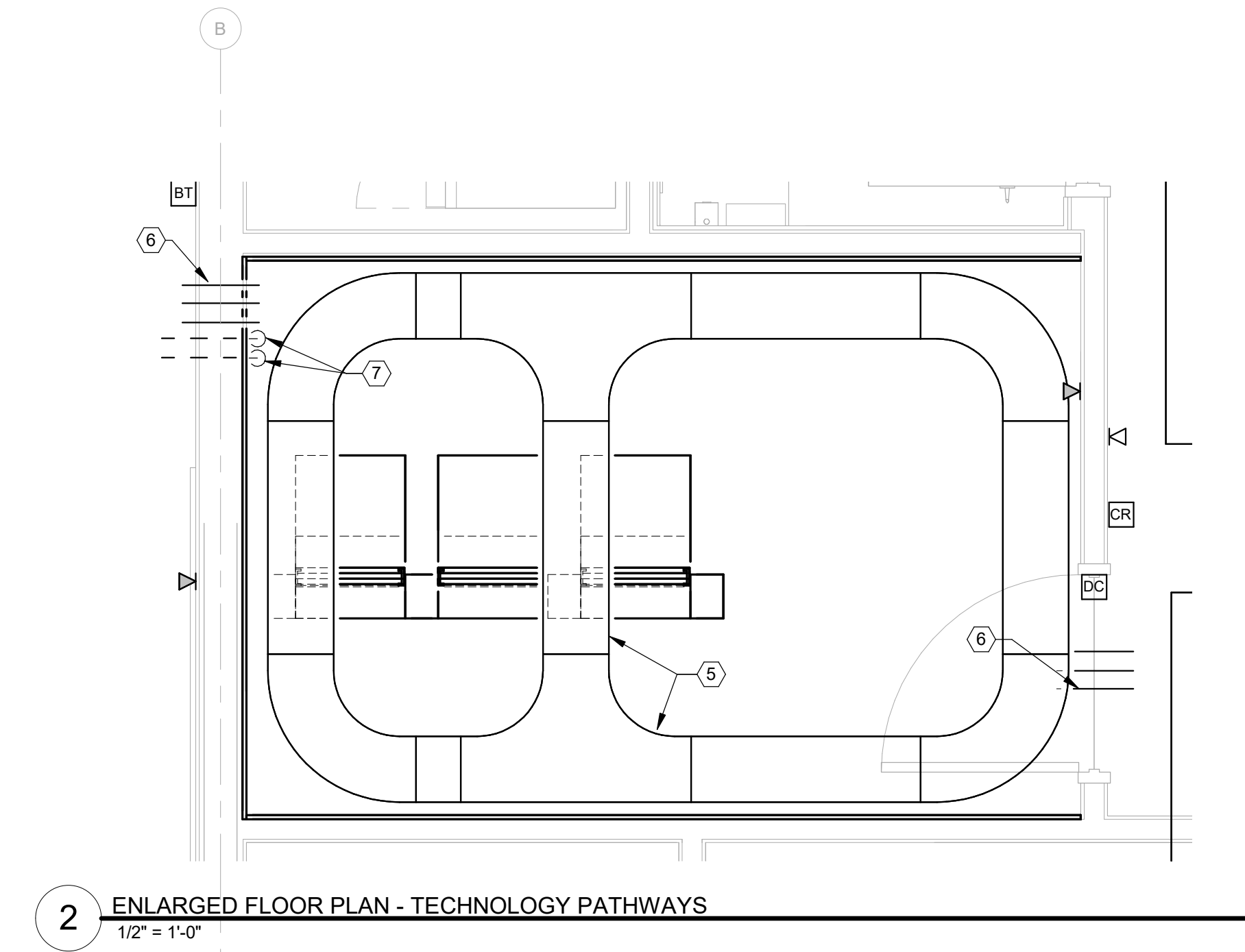
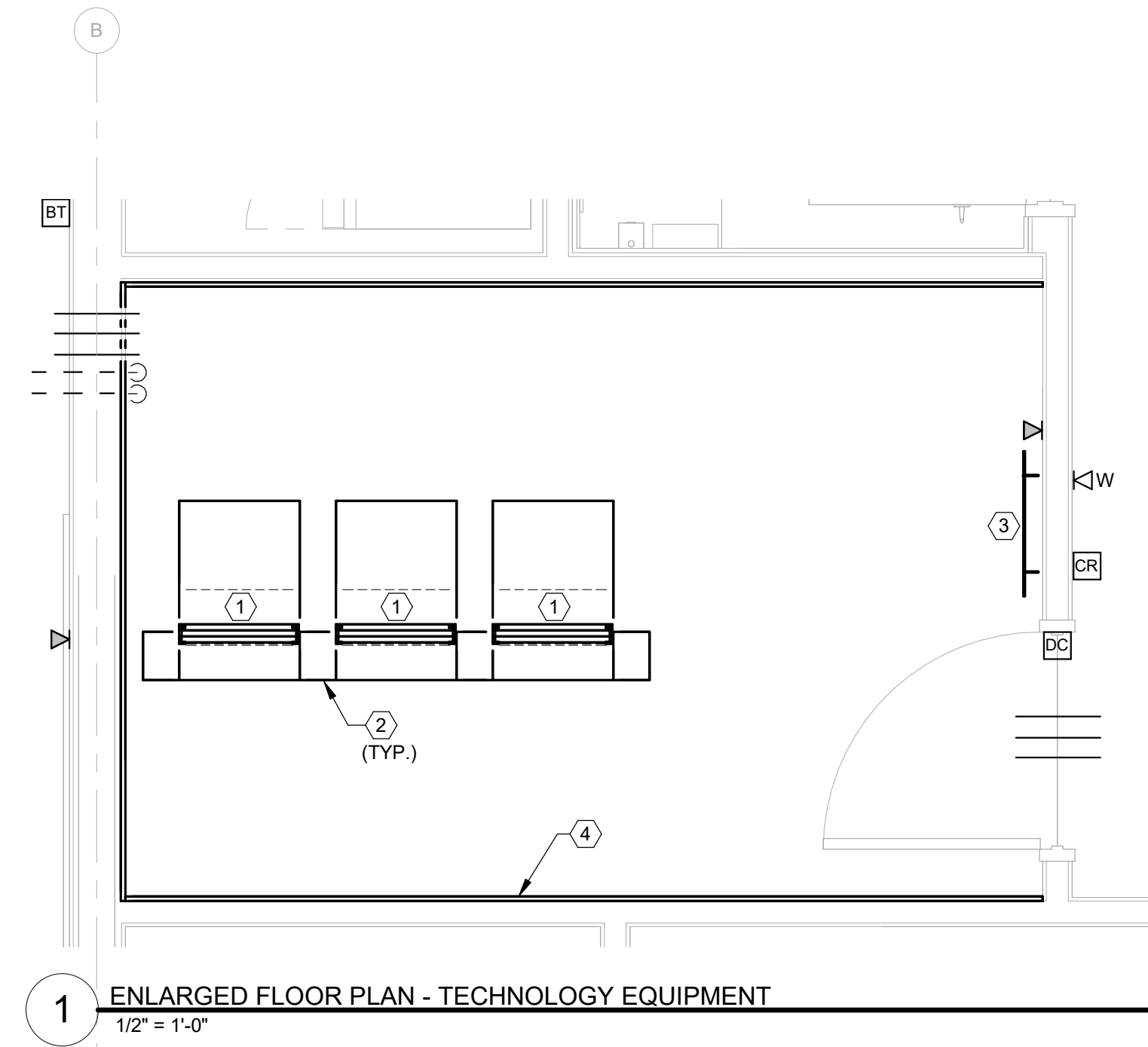
No.	Description	Date
-----	-------------	------

GENERAL SHEET NOTES

- ALL SECURITY DEVICES SHOWN ARE ROUGH-IN AND PATHWAYS ONLY. SECURITY DEVICES SHALL BE PROVIDED BY CML'S SECURITY VENDOR.

SHEET KEYNOTES

- PROVIDE 84" H X 20" W X 30" D 4-POST RACK WITH EIA STANDARD 19" RACK RAILS. 45 RACK UNITS OF MOUNTING SPACE.
- 6" W X 12" D X 84" H VERTICAL WIRE MANAGER ON EACH SIDE OF RACK.
- PROVIDE 24" L X 4" H TECHNOLOGY MAIN GROUNDING BUSBAR.
- 3/4" THICK 4' X 8' FIRE RATED TECHNOLOGY PLYWOOD BACKBOARD MOUNTED 18" AFF.
- 12" W LADDER RACK CABLE TRACY FOR TECHNOLOGY CABLING, MOUNTED AT 10'-0" AFF.
- (3) 4" CONDUIT SLEEVES THROUGH WALL FOR TECHNOLOGY CABLING THROUGH WALL, MOUNTED AT THE SAME HEIGHT AS THE LOCAL CABLE TRAY.
- (2) 4" CONDUITS STUBBED UP INTO TELECOM ROOM FOR TECHNOLOGY SERVICE CABLING. REFER TO ELECTRICAL SITE PLAN FOR CONTINUATION OF SERVICE CONDUITS.



RACK ELEVATION KEYNOTES

- 48 PORT, 2RU FIBER OPTIC DISTRIBUTION PANEL.
- 2RU HORIZONTAL CABLE MANAGEMENT.
- 2RU, 48 PORT COPPER PATCH PANEL.
- 1RU, 48 PORT NETWORK SWITCH.
- 84" H X 20" W X 30" D 4-POST RACK, 19" RACK RAILS, 45 RU OF MOUNTING SPACE.
- 6" W X 12" D X 84" H VERTICAL WIRE MANAGER ON EACH SIDE OF RACKS.

CML Marion
Franklin Branch

2800 Lockbourne Rd,
Columbus, Ohio 43207

NOT FOR CONSTRUCTION

ENLARGED FLOOR
PLAN - TECHNOLOGY

TELECOM

T401

03/15/2024

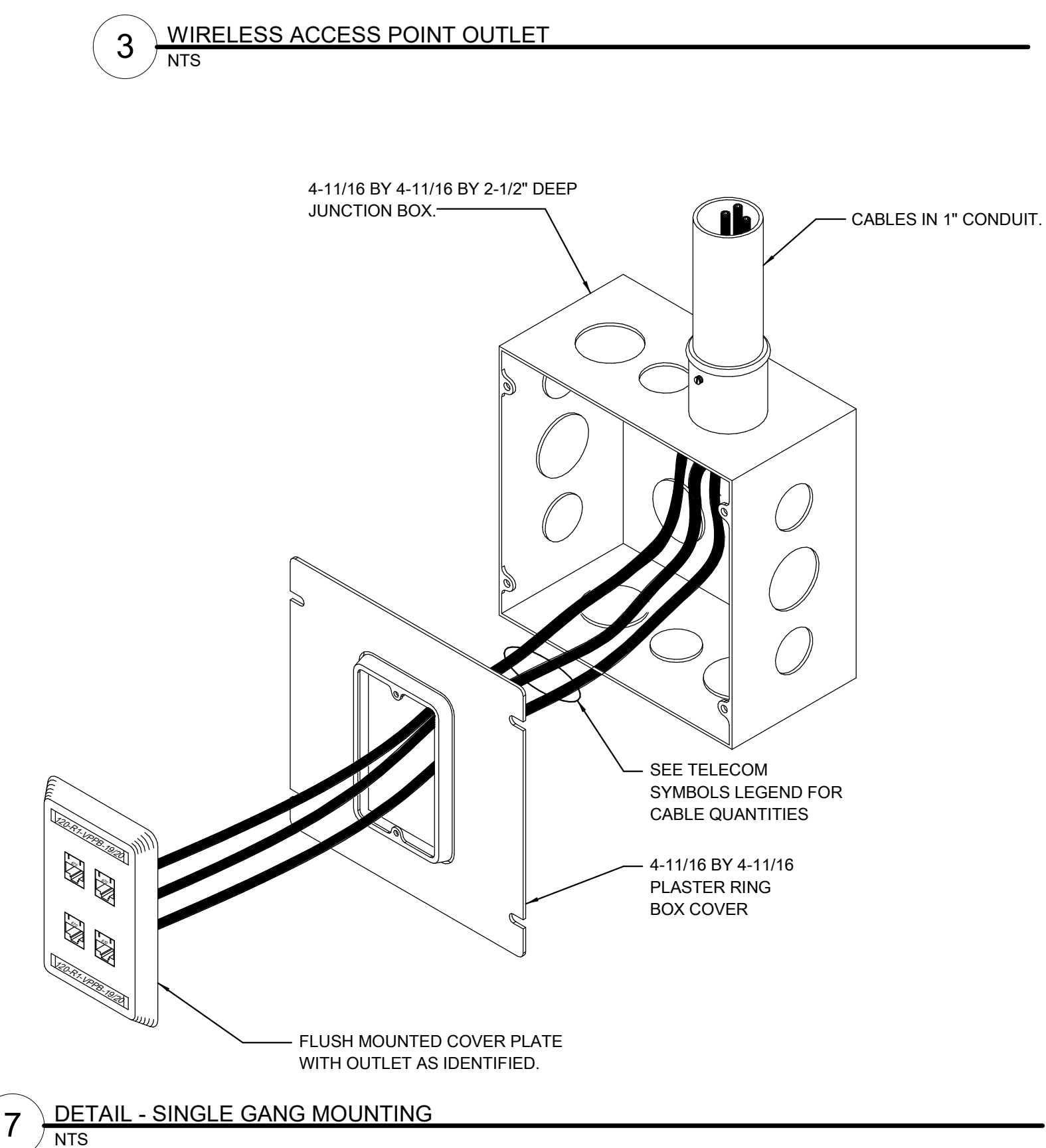
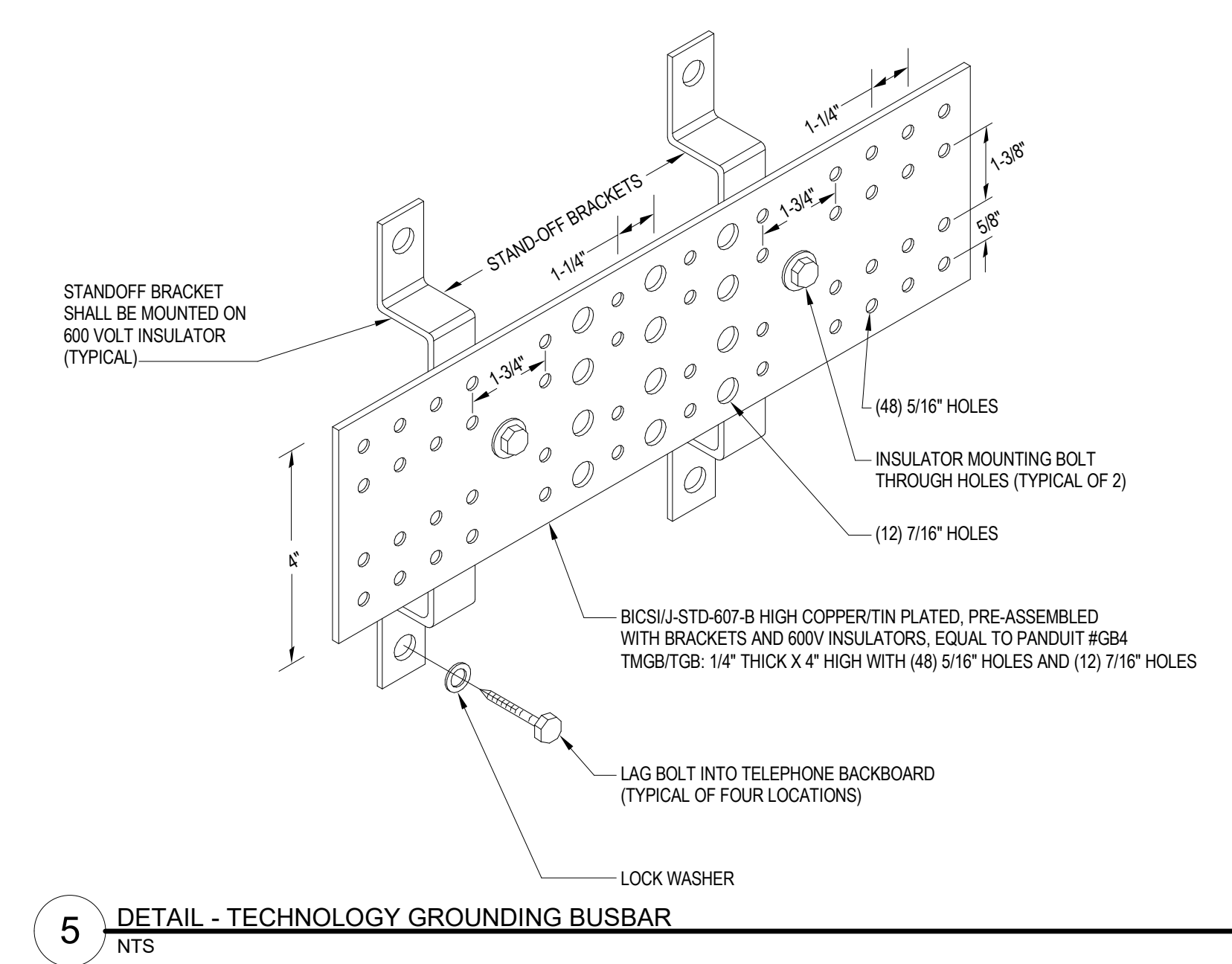
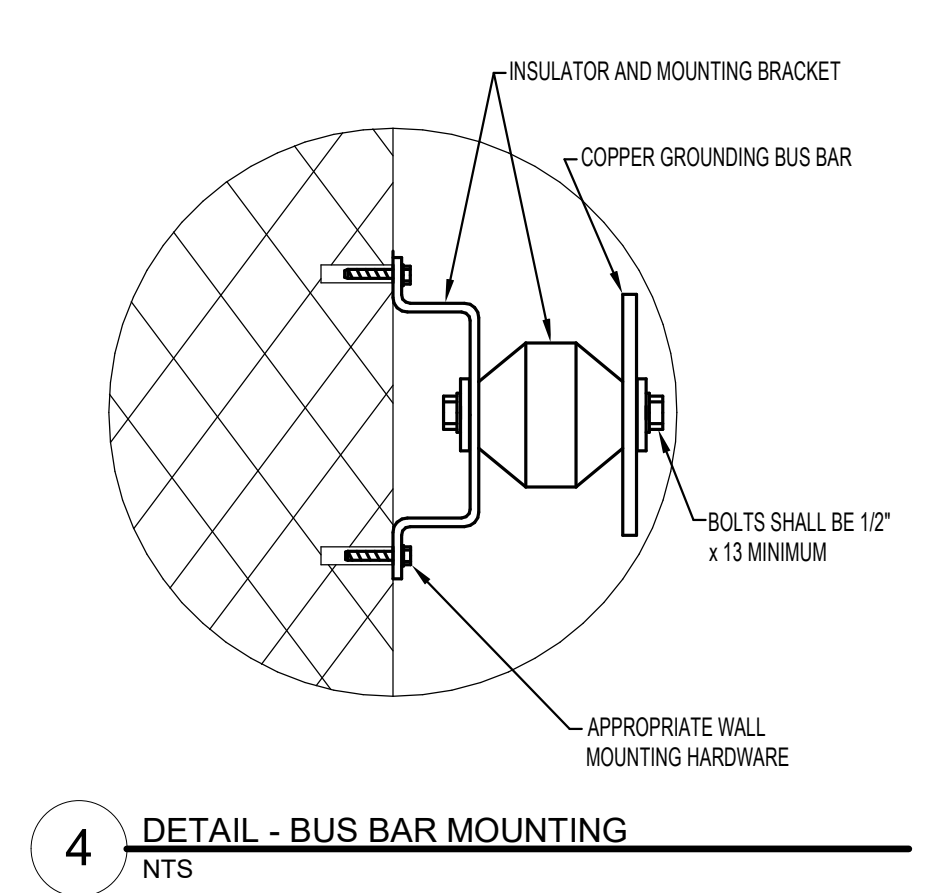
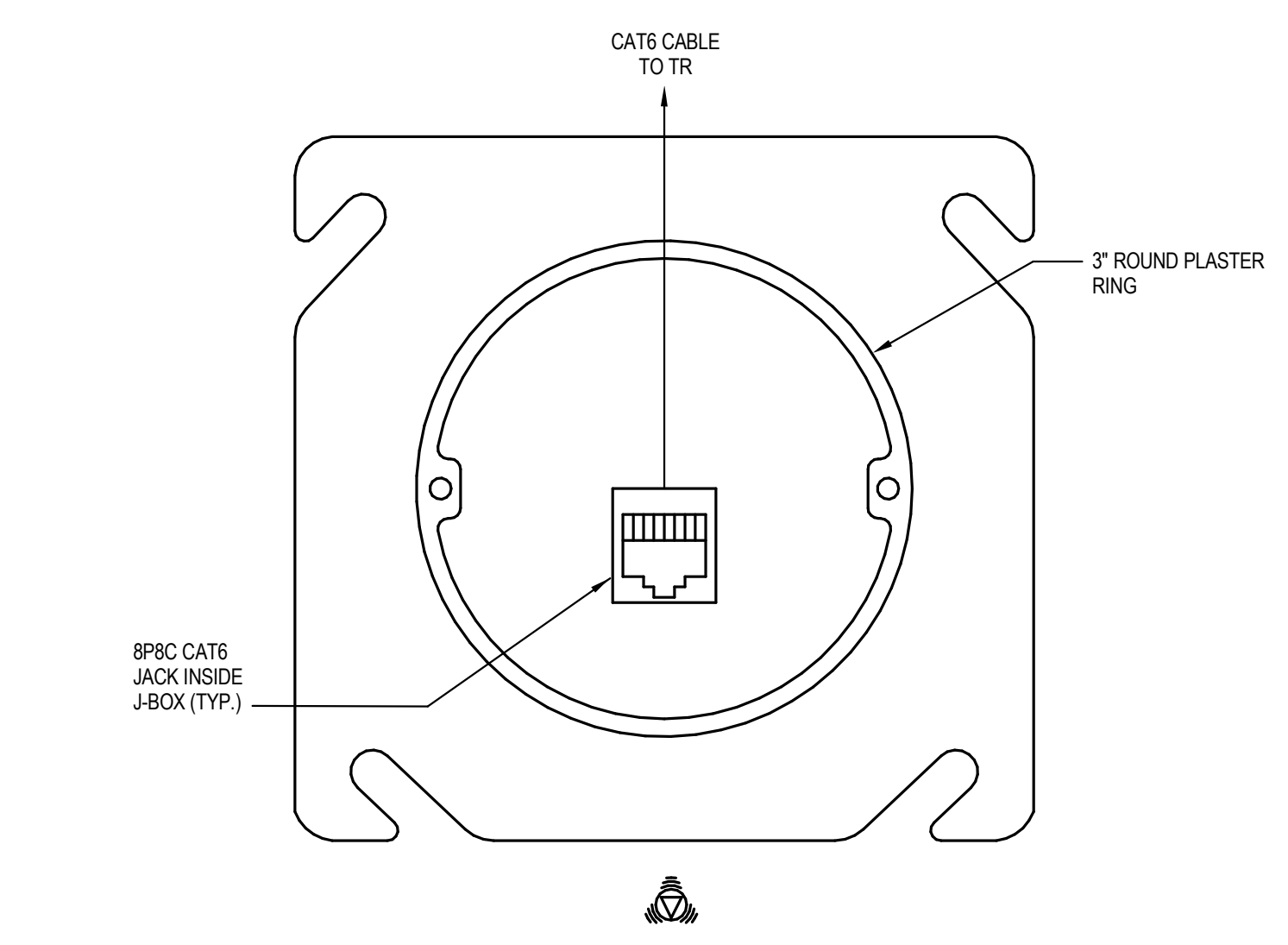
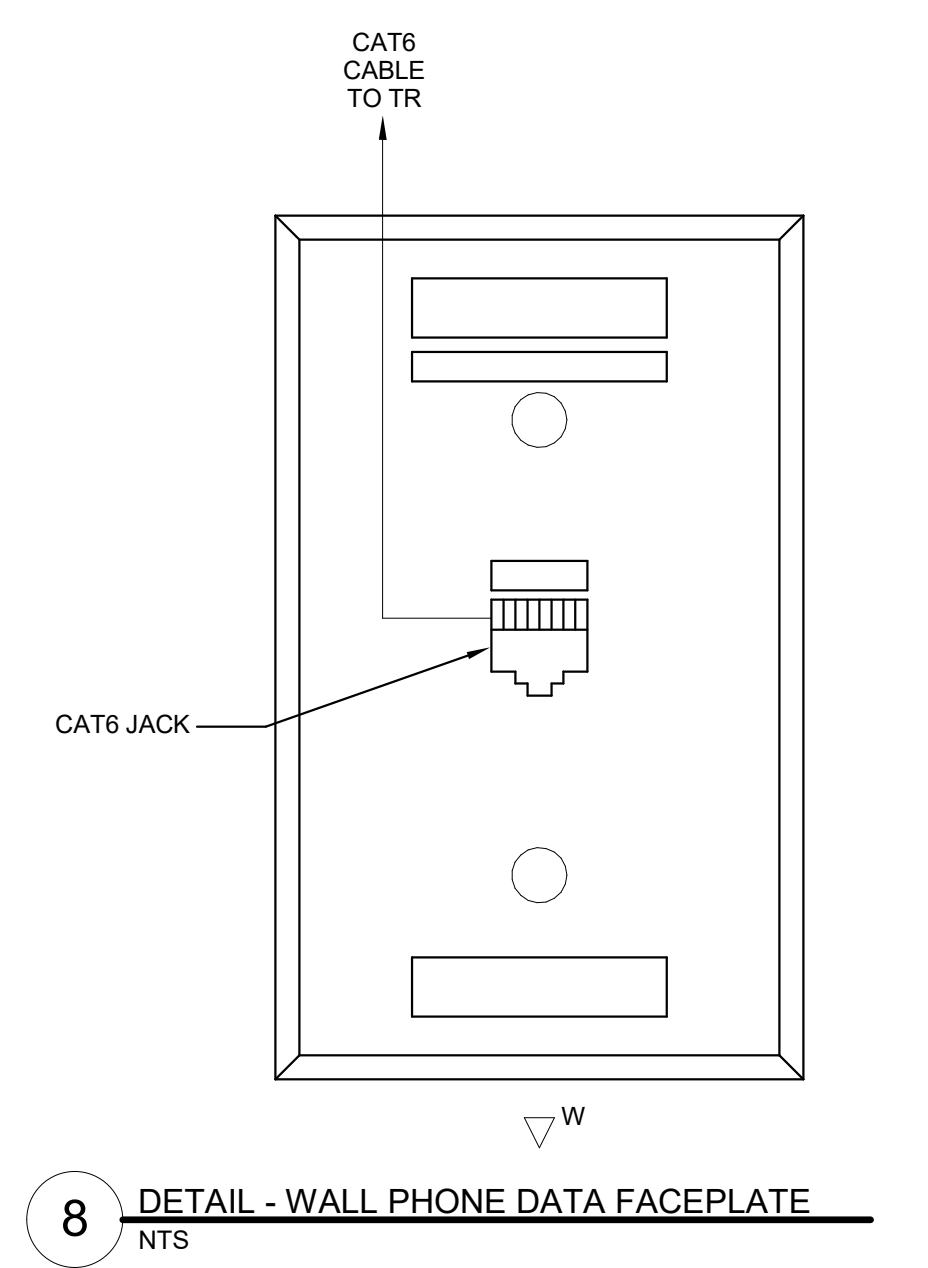
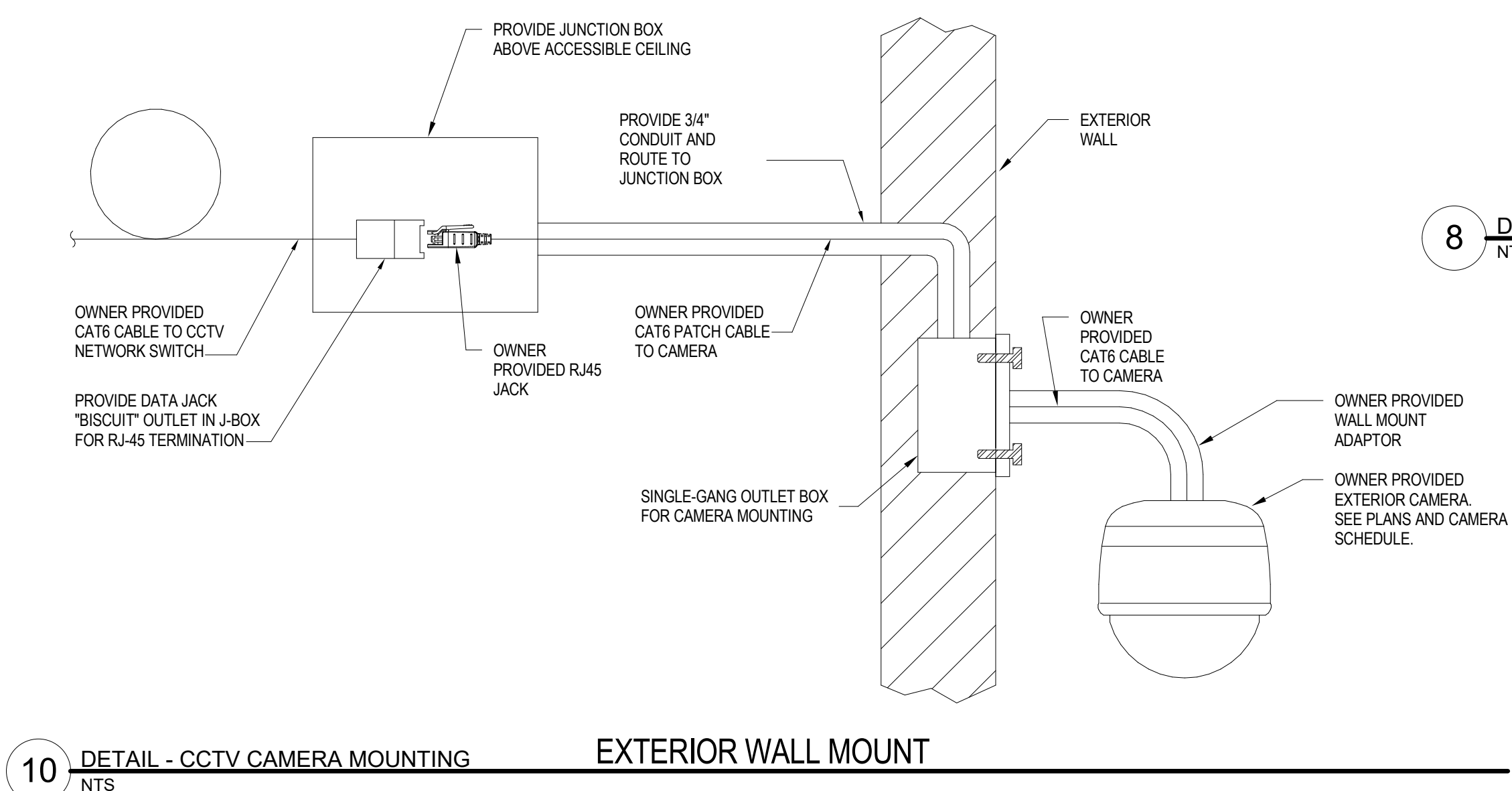
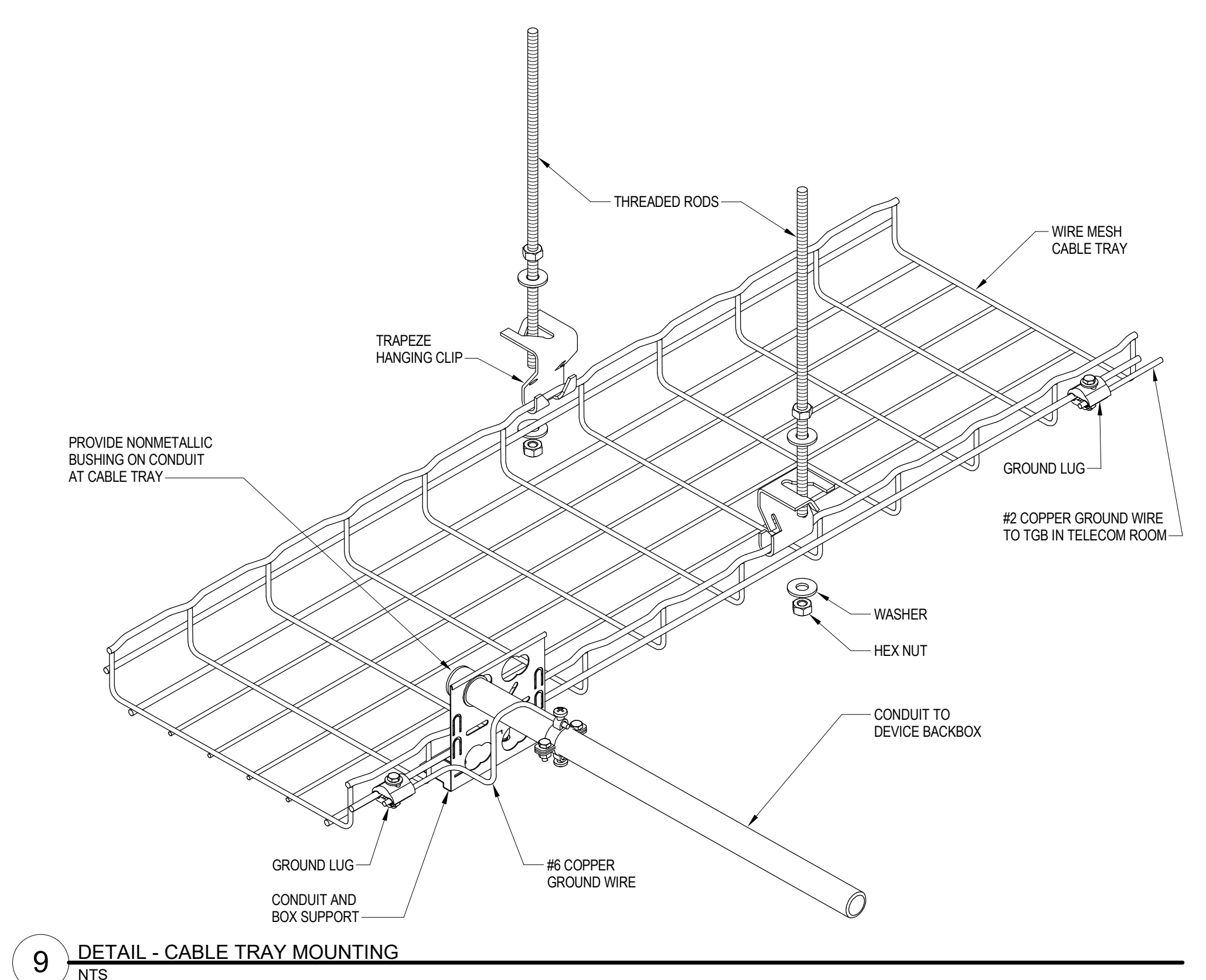
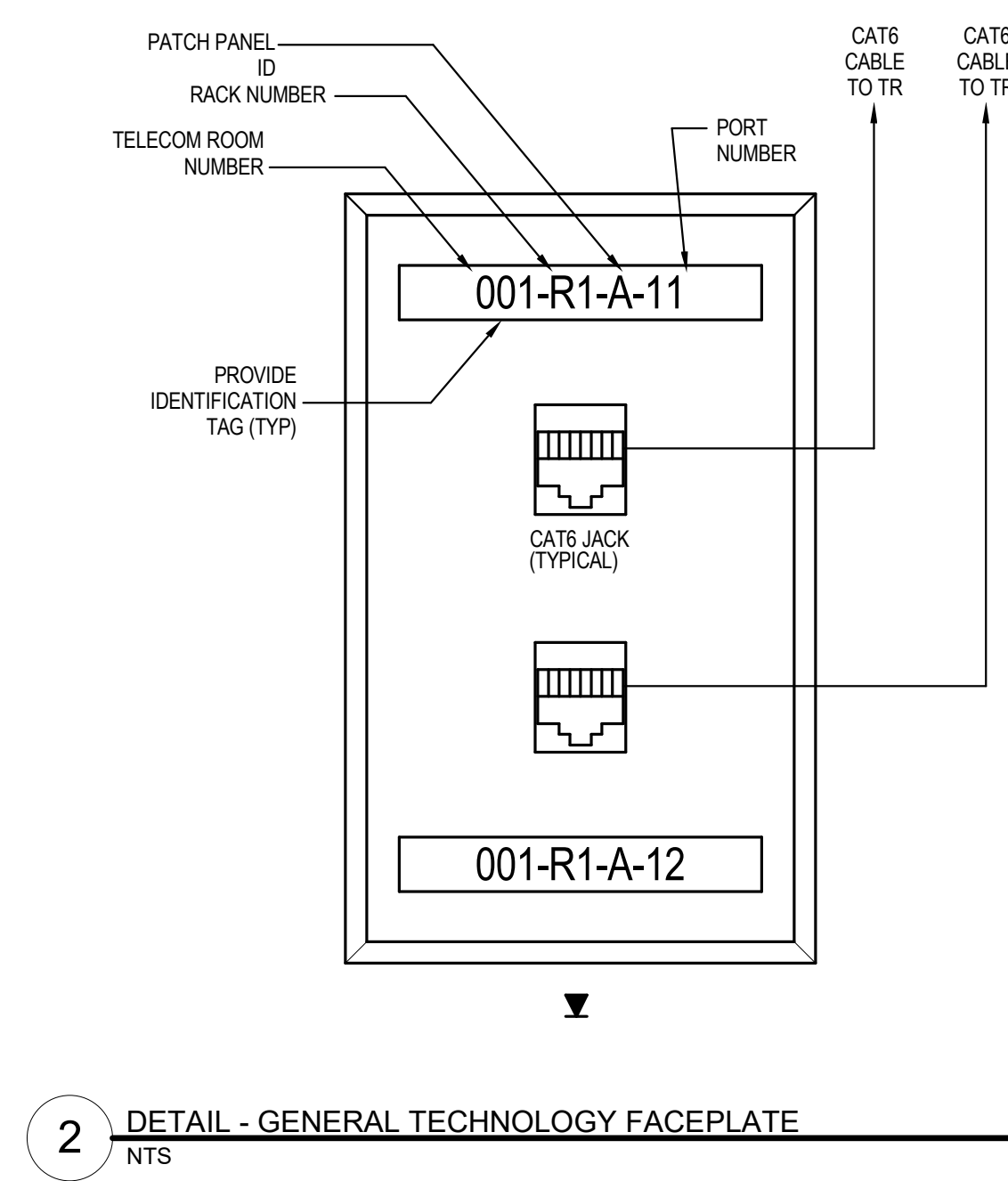
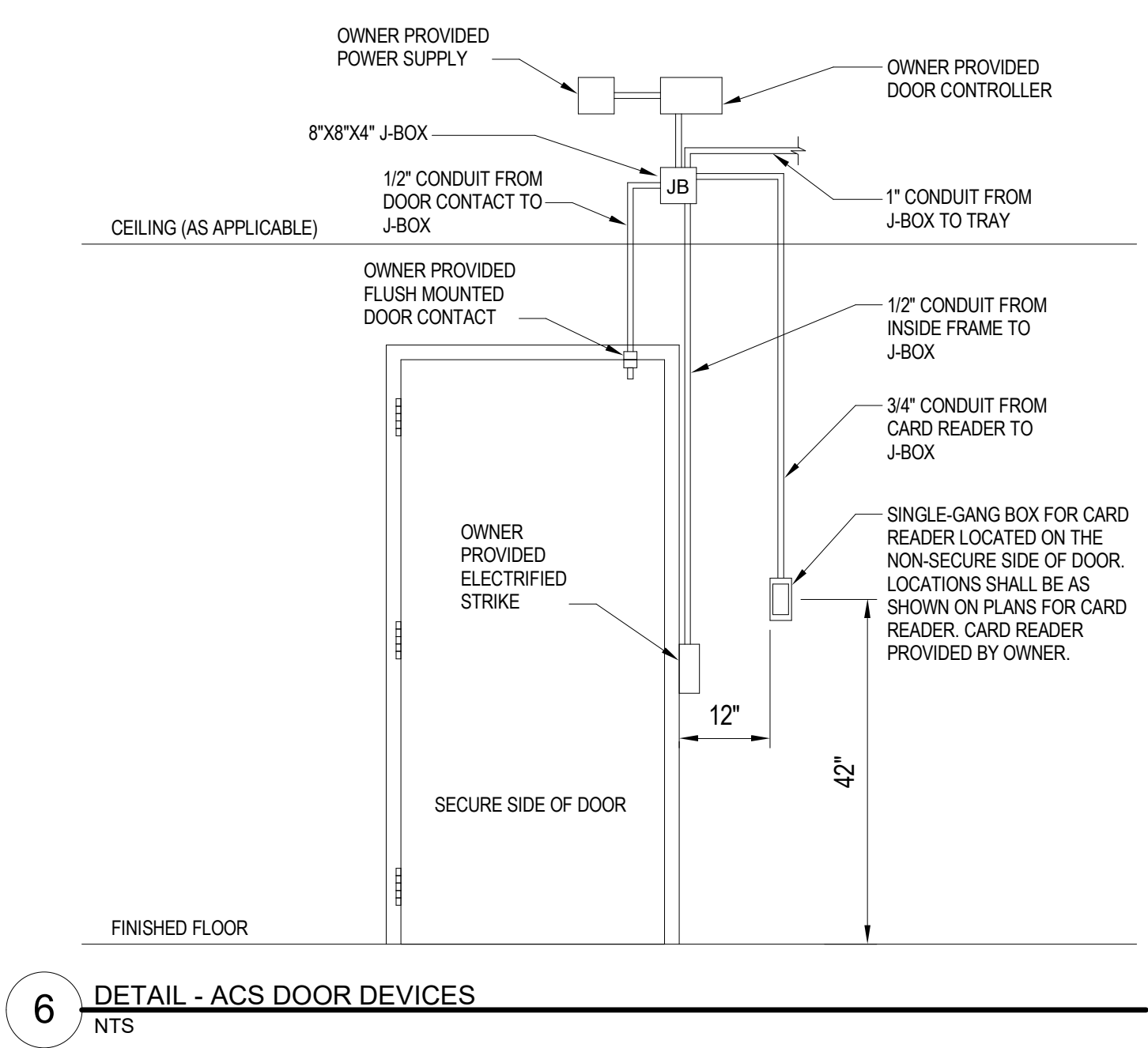
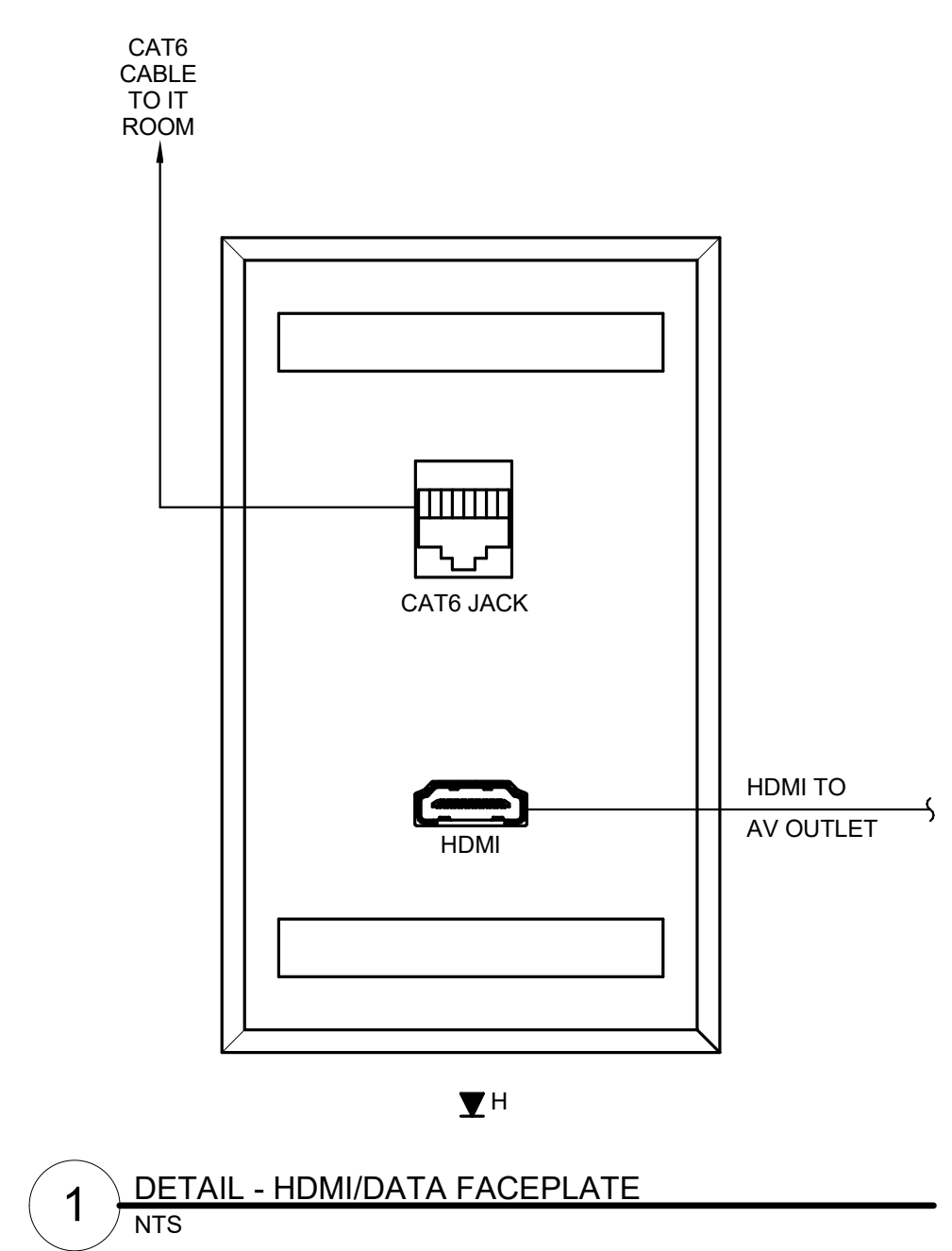
22150

Revision Schedule		
No.	Description	Date

NOT FOR CONSTRUCTION

GENERAL SHEET NOTES

1. ALL SECURITY DEVICES SHOWN ARE ROUGH-IN AND PATHWAYS ONLY. SECURITY DEVICES SHALL BE PROVIDED BY CML'S SECURITY VENDOR.



Consultants:

Civil Engineer
Moody Engineering
300 Spruce St Suite 200, Columbus OH 43215

Landscape Architect
MKSK
402 Lenth St, Columbus OH 43215

Structural Engineer
SMBH
1165 Dublin Rd Suite 200, Columbus OH 43215

MEP Engineer
Advanced Engineering Consultants
1405 Dublin Rd, Columbus OH 43215

Drawing Issue Dates

Schematic Design Plus Submittal
9/28/2023

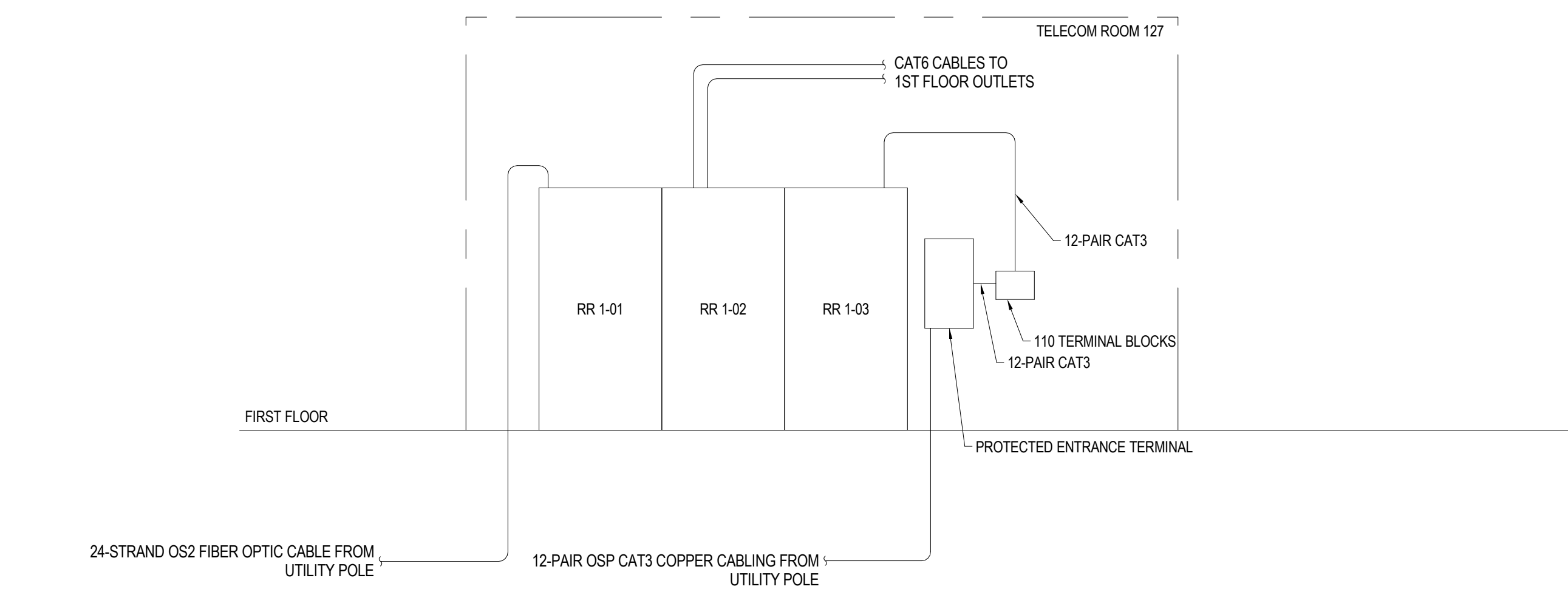
Design Development Submittal
11/2/2023

30% Construction Documents
01/15/2024

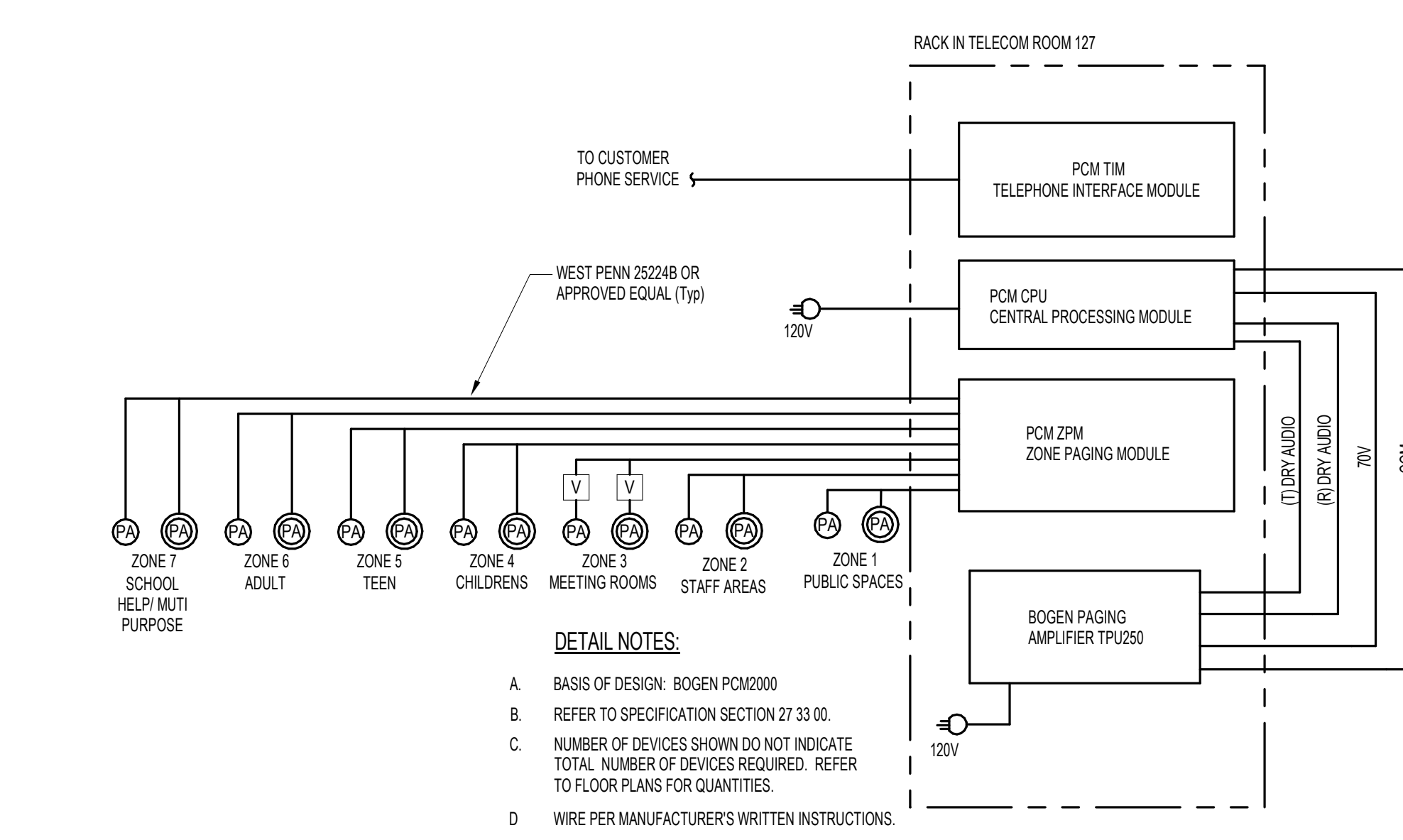
60% Construction Documents
02/19/2024

Revision Schedule

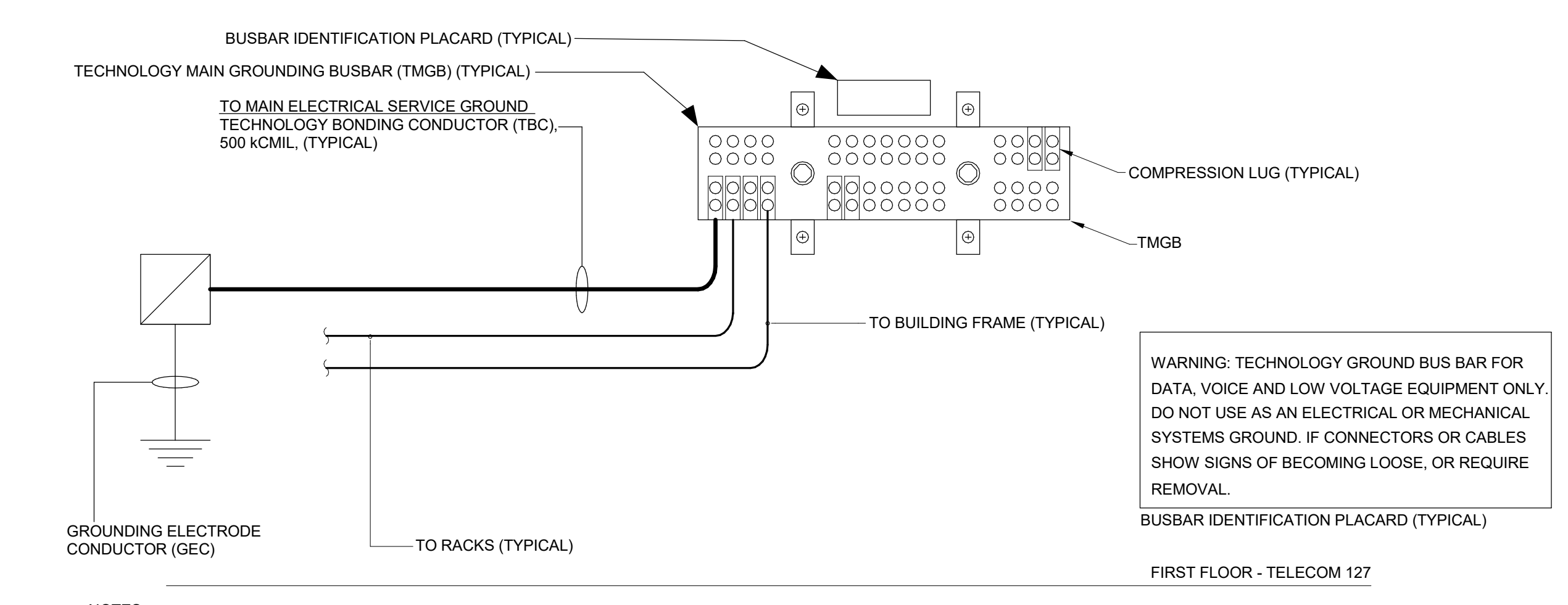
No.	Description	Date
-----	-------------	------



1 DIAGRAM - TECHNOLOGY CABLING
NTS



2 DIAGRAM - PAGING & INTERCOM SYSTEM RISER
NTS



NOTES:
1. WITH THE EXCEPTION OF THE MAIN ELECTRICAL SERVICE GROUND, ALL BONDING CONDUCTOR SIZES ARE SHOWN FOR REFERENCE ONLY. ACTUAL SIZE OF EACH BONDING CONDUCTOR SHALL BE BASED ON ITS LENGTH AS SPECIFIED BY THE TIA 607-C. ALL BONDING CONDUCTORS SHALL BE INSULATED.
2. ALL TECHNOLOGY BUSBARS SHALL HAVE AN ENGRAVED PLACARD AFFIXED DIRECTLY ABOVE THE BUSBAR STATING, "WARNING TECHNOLOGY BUSBAR FOR DATA, VOICE AND VIDEO COMMUNICATIONS EQUIPMENT ONLY, CONTACT ITD WHEN REMOVING CABLES OR WHEN CABLES APPEAR TO BE LOOSE OR CORRODED".
3. EACH GROUNDING AND BONDING CONDUCTOR SHALL BE LABELED AT ITS POINT OF TERMINATION WITH THE FOLLOWING INFORMATION, "IF THIS CONNECTOR OR CABLE IS LOOSE OR MUST BE REMOVED, PLEASE NOTIFY ITD OR BUILDING FACILITIES IMMEDIATELY".

3 SCHEMATIC - TECHNOLOGY GROUNDING
NTS

CML Marion
Franklin Branch

2800 Lockbourne Rd,
Columbus, Ohio 43207

NOT FOR CONSTRUCTION

DIAGRAMS -
TECHNOLOGY

TELECOM
T701

03/15/2024

22150