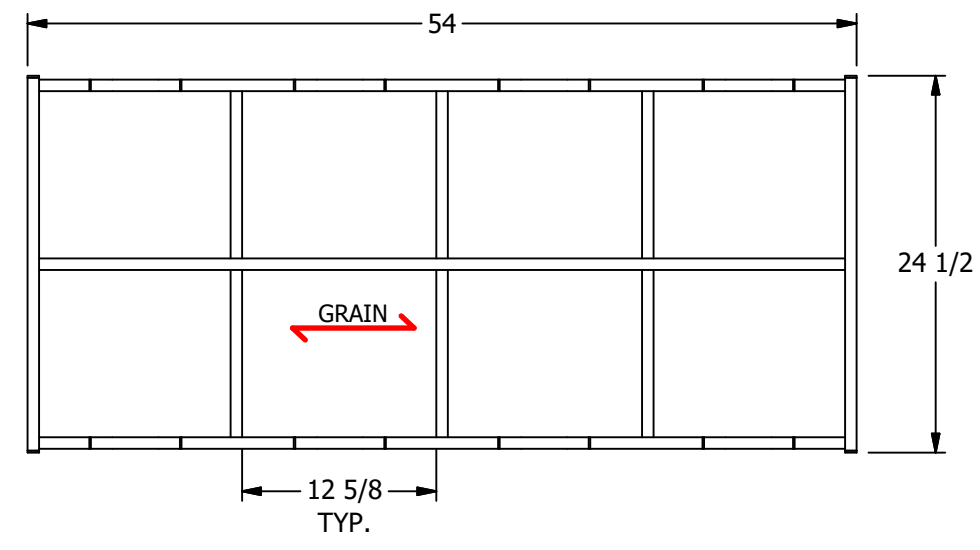


REF. FEATURE LEGEND (UNLESS OTHERWISE SPECIFIED) (SEE ORDER ACKNOWLEDGEMENT FOR FINAL SPECIFICATION)	
FEATURE	SELECTION
SPECIES	MAPLE
WOOD FINISH	CWF 18-125
LAMINATE	N/A
SOLID SURFACE	N/A
MARMOLEUM	N/A
HARDWARE FINISH	STD. BLACK
POWDER COAT	N/A
FABRIC	N/A
ELC. FINISH	N/A
RESIN DETAIL	BY OTHERS
OTHER	N/A

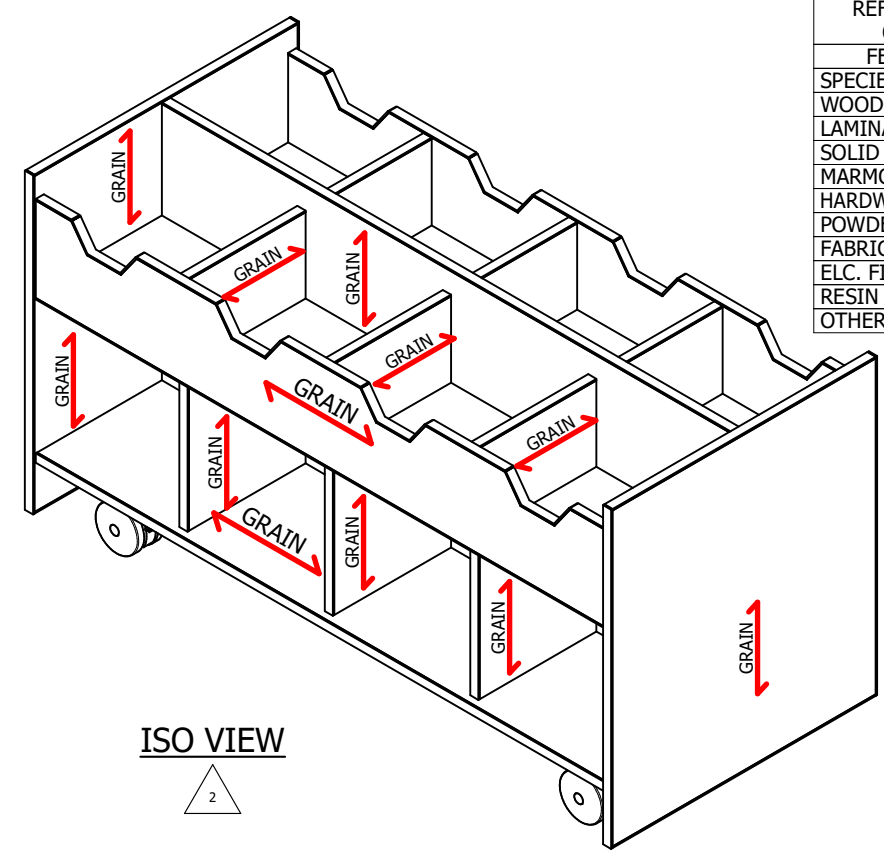
**FOR APPROVAL**

APPROVED  
 APPROVED AS NOTED  
 REVISE AND RESUBMIT

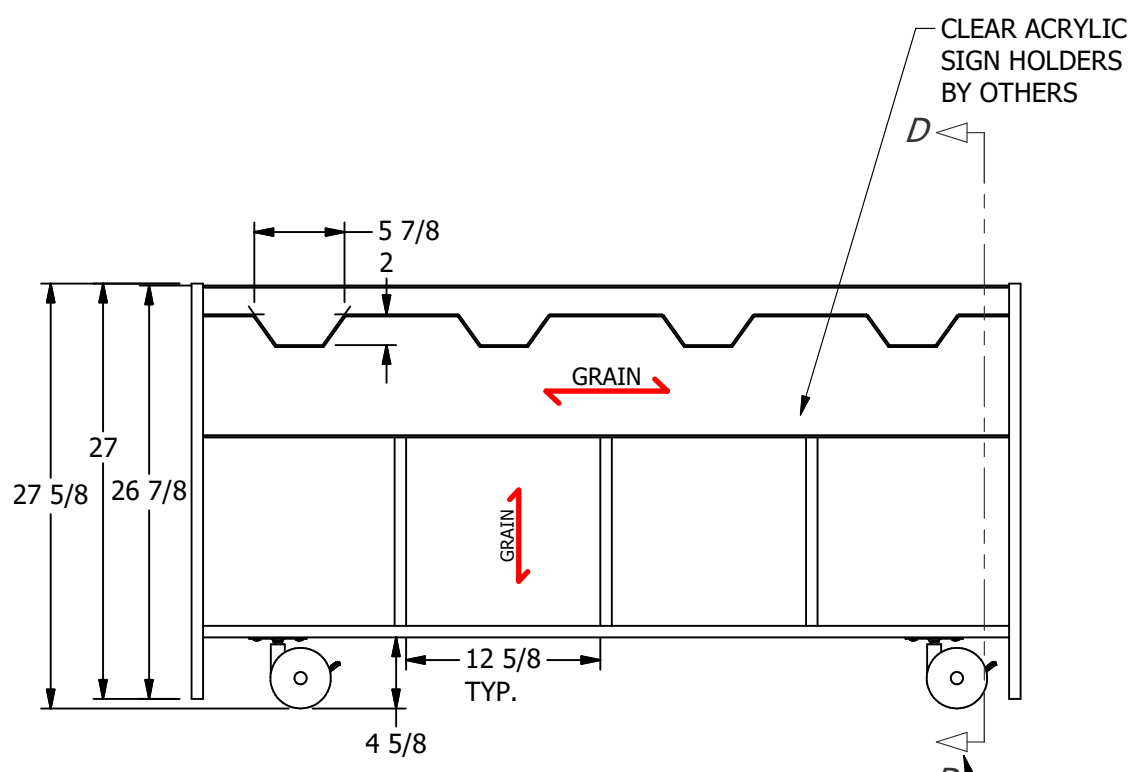
DRAWING PACKAGE MUST BE RETURNED TO THE WORDEN GROUP WITH APPROPRIATE BOX CHECKED. ADD COMMENTS AND MARK-UPS ON THIS DRAWING PACKAGE (AS NEEDED) (CHECK ONE BOX ONLY)  
NOTE: ANY DIMENSIONAL CHANGES WILL REQUIRE A REVISE AND RESUBMIT STATUS REGARDLESS OF WHICH BOX IS CHECKED.  
SIGNED BY: \_\_\_\_\_ DATE: \_\_\_\_\_



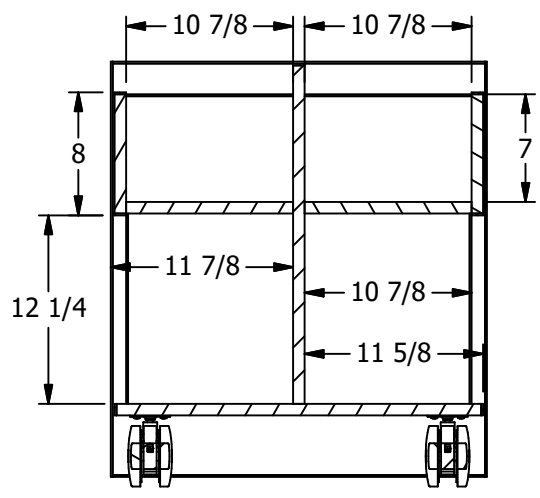
**PLAN VIEW**



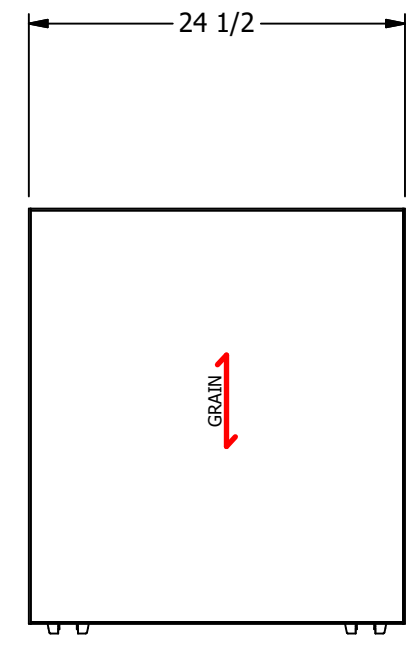
**ISO VIEW**



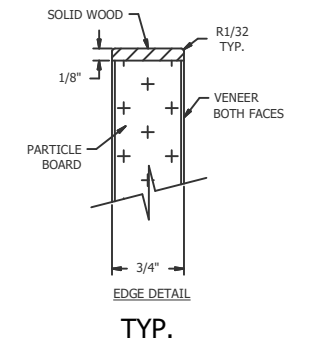
**TAG BROWSER BIN - QTY. 4**  
**CTMITM00291**  
**ELEVATION**



**SECTION "D-D"**



**END VIEW**



**EDGE DETAIL**  
**TYP.**

LOCKING SWIVEL CASTER TYP. (4)

DEALER	Library Design Associates, Inc. (OH)	
PROJECT	Gahanna Library - Technical Furniture	
DRAWING FILE	E3896-APPS.idw	
ENGINEERED BY	DATE	DIMENSIONS & TOLERANCES UNLESS OTHERWISE SPECIFIED
tsall	9/30/2022	.X±.060 .XX±.030 .XXX±.015 ANGLES±0.5° FRACTIONS±1/16 (DIMENSIONS: INCHES)
THE INFORMATION CONTAINED HEREIN IS CLASSIFIED "CONFIDENTIAL". IT IS THE SOLE PROPERTY OF THE WORDEN GROUP, AND ANY USE THEREOF AND/OR REPRODUCTION THEREOF IS EXPRESSLY PROHIBITED WITHOUT THE WRITTEN CONSENT OF THE WORDEN GROUP.		
<b>THE WORDEN GROUP</b> <b>WORDEN   SNAP!OFFICE   ECHO</b>		WWW.WORDENCOMPANY.COM 199 EAST 17TH STREET HOLLAND, MI 49423
ORDER NUMBER	SHEET	REV.
E3896-APPS	2 OF 6	2